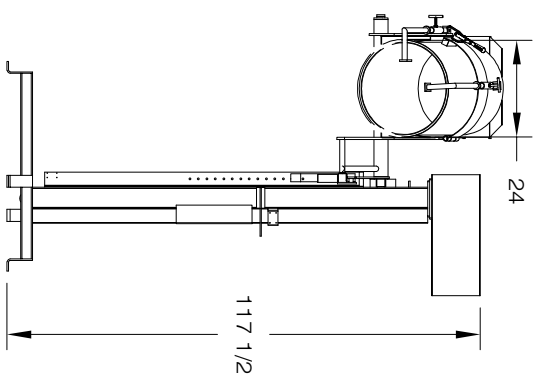
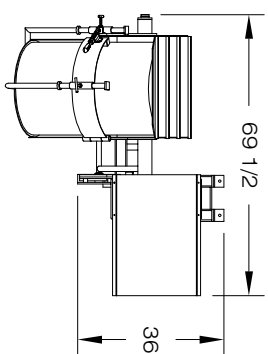
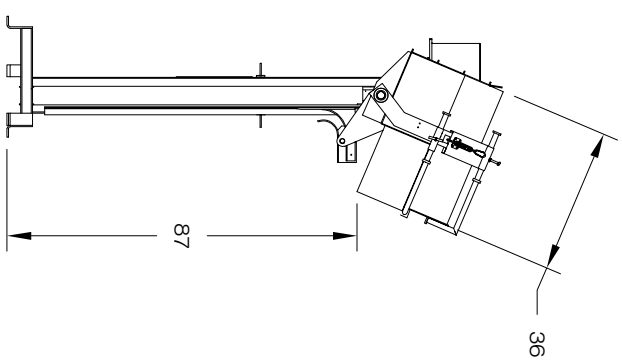
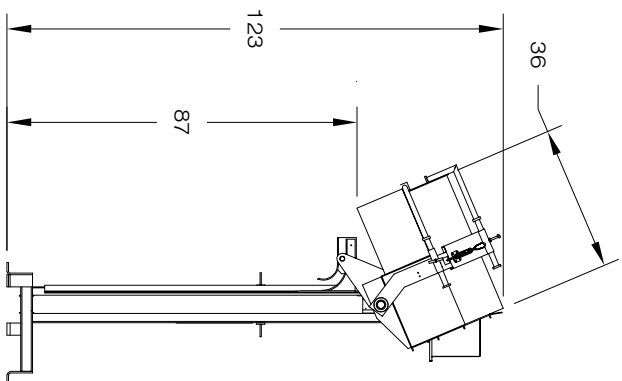


RIGHT HAND UNIT



LEFT HAND UNIT

NOTE: COLUMN MUST BE ANCHORED TO A SOUND STRUCTURE

Shipping Weight 1500 lbs
Utilities Electric: 15 AMPS @ 480V

LTR	DESCRIPTION	BY	DATE	APPR

REVISIONS

CONFIDENTIAL



F.P.E.C. CORPORATION, dba
FOOD PROCESSING EQUIPMENT CO
 2216 FORD AVE. SPRINGDALE, AR 72764

THIS DRAWING AND THE INFORMATION, DESIGNS, AND IDEAS CONTAINED THEREON ARE THE EXCLUSIVE PROPERTY OF F.P.E.C. CORPORATION AND SHALL NOT BE REPRODUCED, COPIED, OR TRANSMITTED IN ANY FORM OR BY ANY MEANS, ELECTRONIC OR MECHANICAL, INCLUDING PHOTOCOPYING, RECORDING, OR BY ANY INFORMATION STORAGE AND RETRIEVAL SYSTEM, WITHOUT THE EXPRESS WRITTEN CONSENT OF F.P.E.C. CORPORATION.

NOTE: THIS DRAWING IS FOR PROPOSAL PURPOSES ONLY. DIMENSIONS SHOULD NOT BE USED FOR INSTALLATION OR CONSTRUCTION UNLESS CERTIFIED.
 NOTE: ALL DIMENSIONS ARE IN INCHES AND CONSTRUCTION MATERIAL IS 304-SS UNLESS OTHERWISE NOTED.

STATIONARY CART LIFT WITH BARREL ATTACHMENT

SCALE	1/4" = 1'-0"	APPROVALS	DATE	TOLERANCES
SIZE	A-LAYOUT	DRAWN	6-23-04	UNLESS OTHERWISE SPECIFIED
DWG #	S-0115	CO		FRAC ±
SHEET	01 OF 01	CHECKED	DATE	DEC ±
JOB #				ANGLE ±

DO NOT SCALE DRAWING